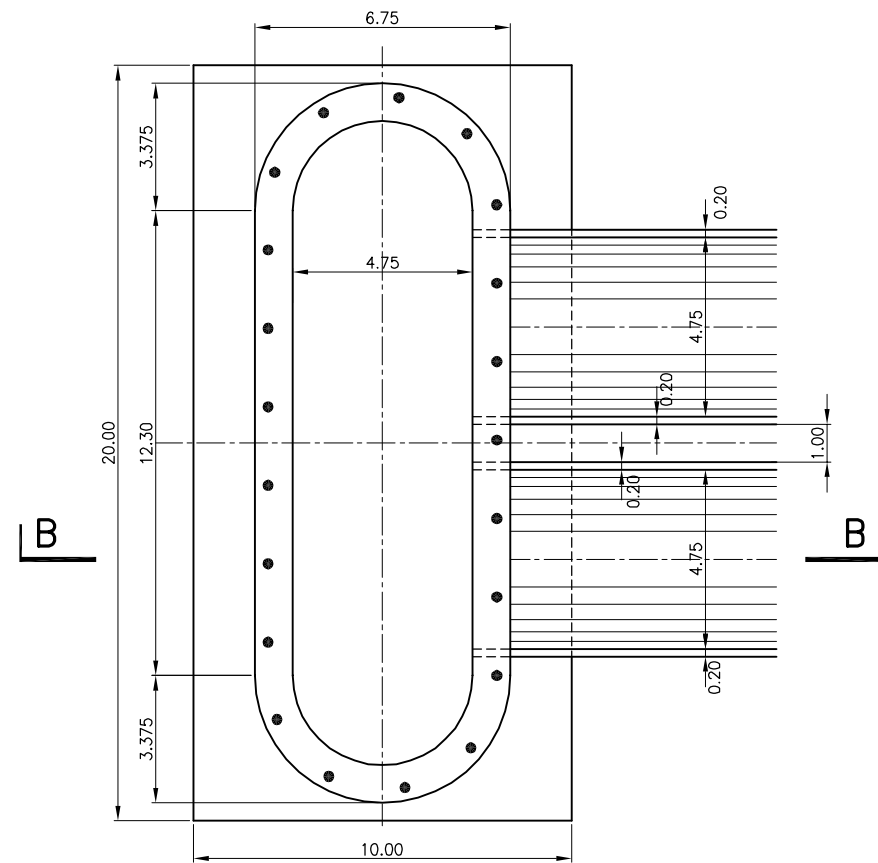
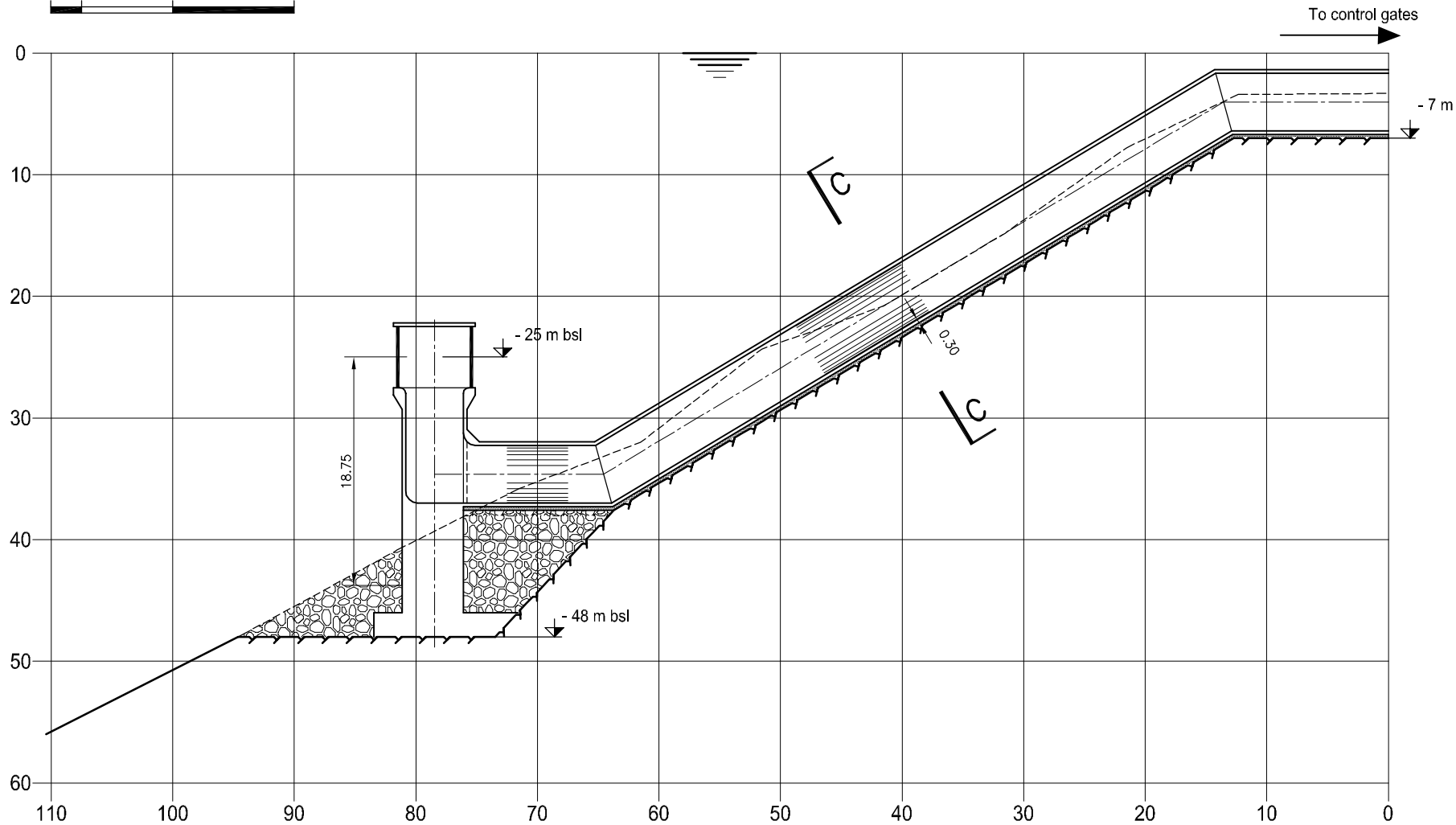
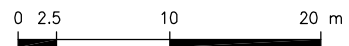
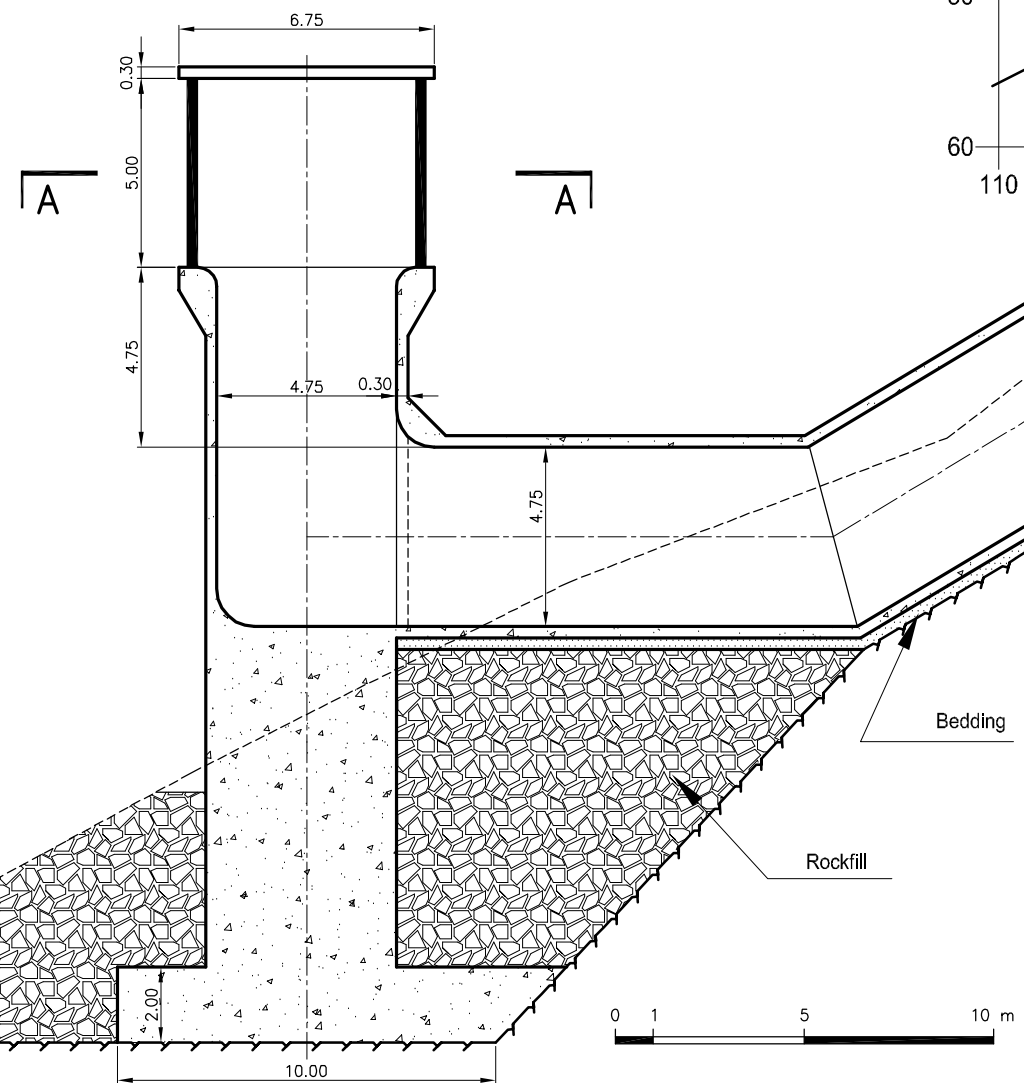


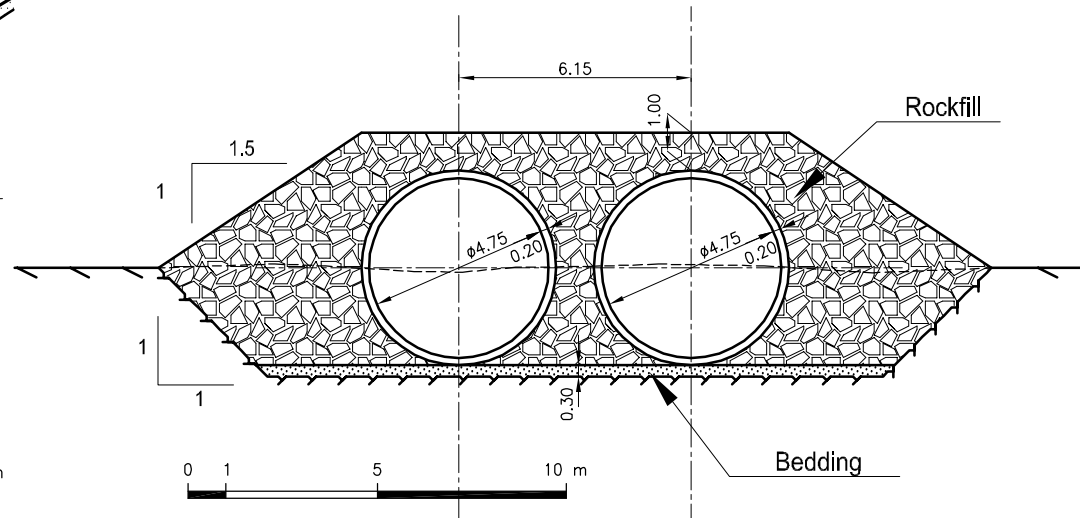
**Section A-A**



**Section B-B**



**Section C-C**



Rev.	DATE	DRAWN BY	CHECKED BY	APPROVED BY	NATURE OF REVISION	STATUS
B	04-2011	MLT	FHA	FHA	Updated	
A	02-2010	HES	FHA	FHA	First Edition	

**THE WORLD BANK**  
 RED SEA - DEAD SEA  
 WATER CONVEYANCE STUDY PROGRAM  
 FEASIBILITY STUDY

**WATER INTAKE  
 PLAN VIEW AND  
 VERTICAL CROSS-SECTIONS**

**COYNE ET BELLIER** In association with:  
 Bureau d'ingénieurs Conseils **TRACTEBEL ENGINEERING** **KEMA**

Scale:	1/100, 1/250	Format:	A3	Folio:	/	Project N°:	12147	Revision	
DATE:	17/02/2010	File name:	10-202-B.dwg	No:	10202	B			